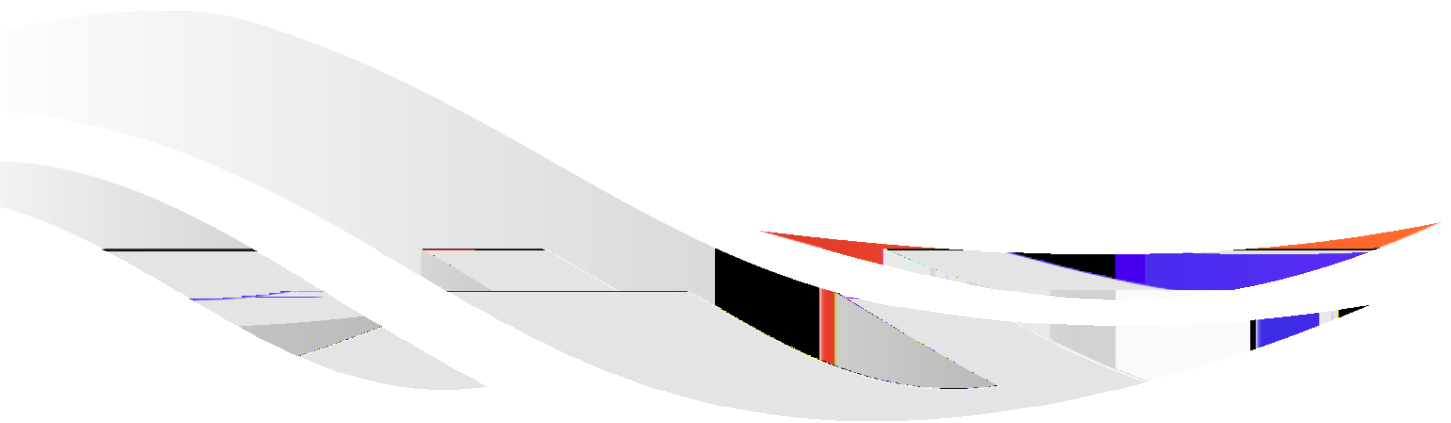


# **EVB\_EC600X、EC800X**

Oscarc\_EVB\_CA4.0X、E800X

T3.2

0.0/+11+07



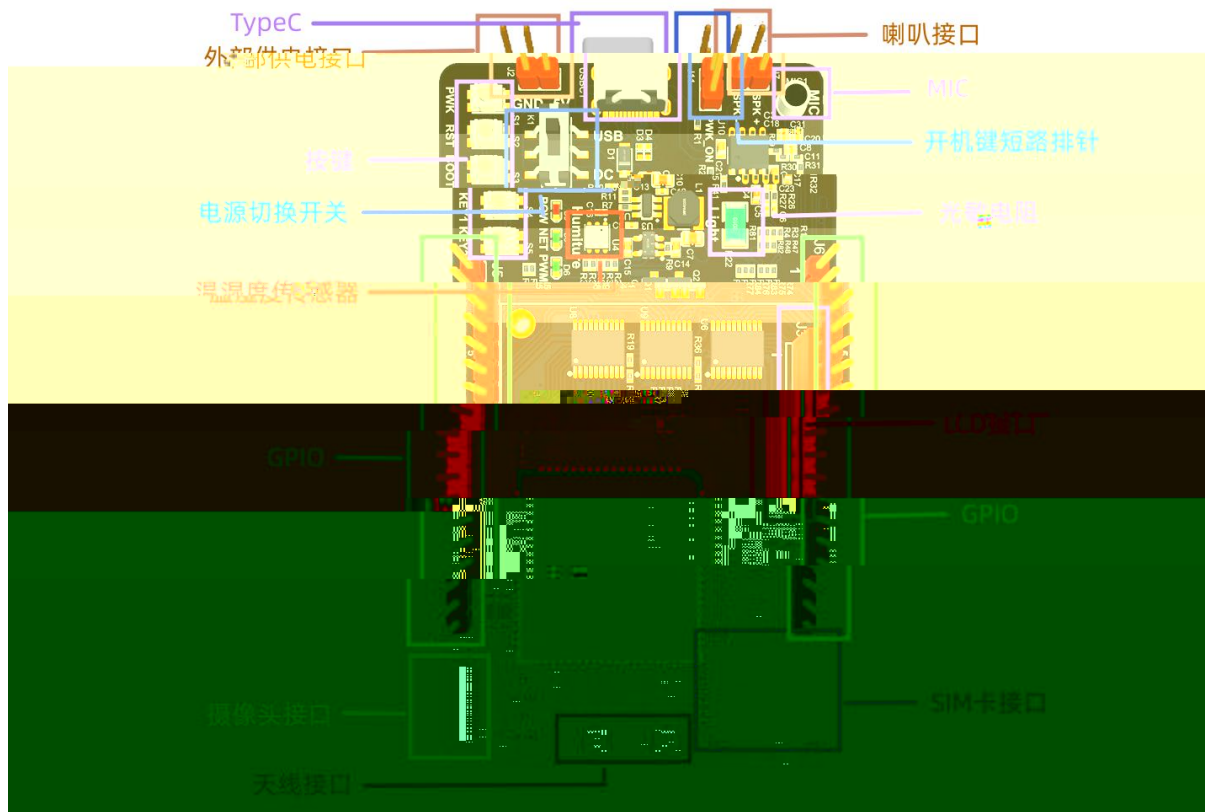
1 @ 3 0..011  
64 0/ 3/. 64014 8j dn oscarc ,ank

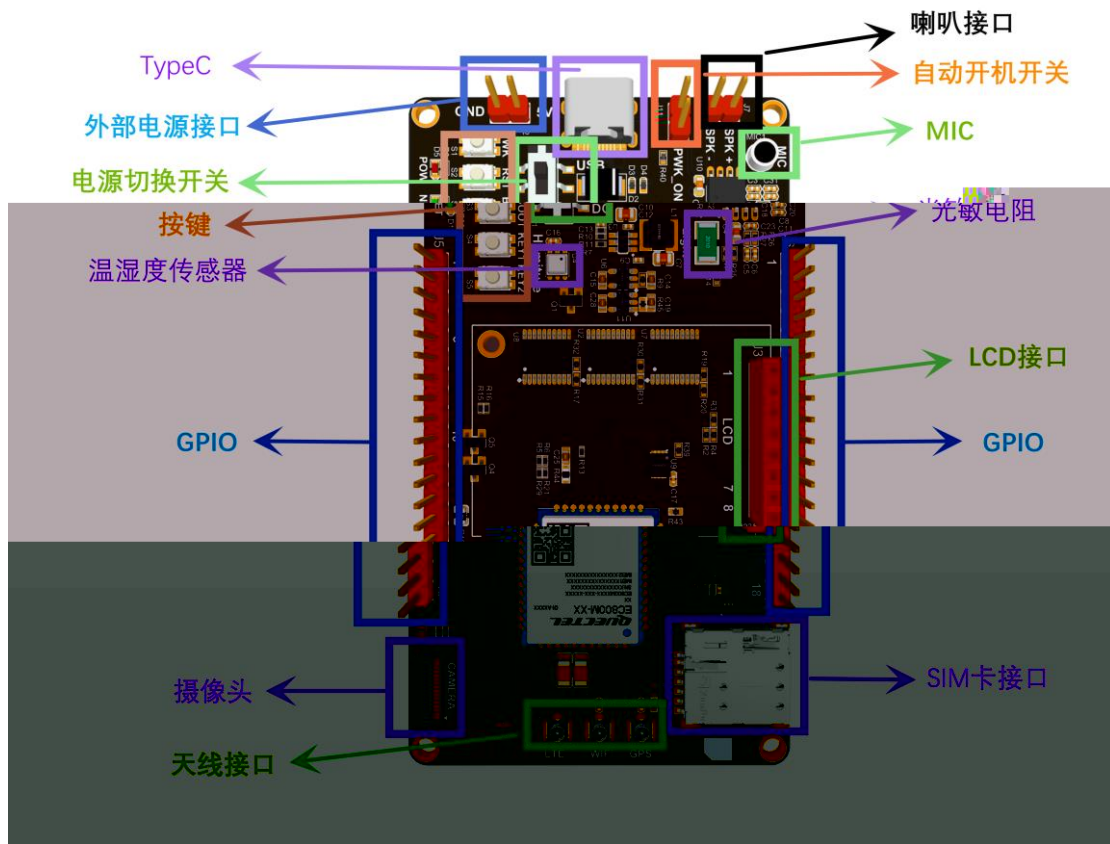
frn&u u u ,oscarc ,ank -al -gsnnmp-q \_cq,frk

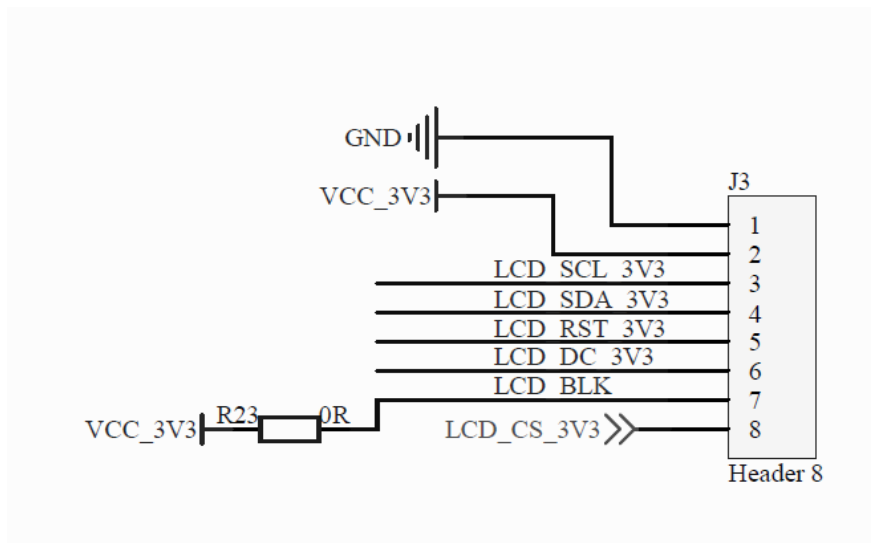
frn&u u u ,oscarc ,ank -al -gsnnmp-rcafl @ ,frk

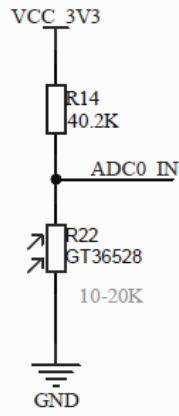
EC600X— EC600 EC600N EC600U EC600M  
EC800X— EC800 EC800M EC800E  
EVB—  
V3.X--



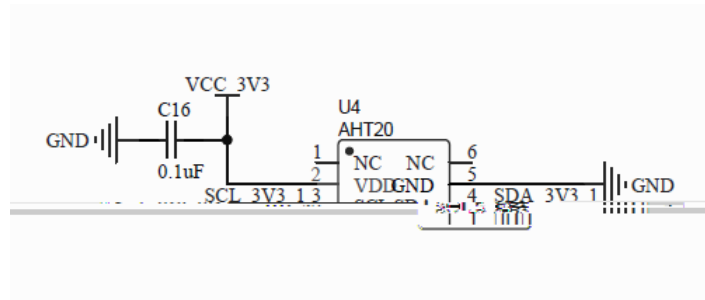
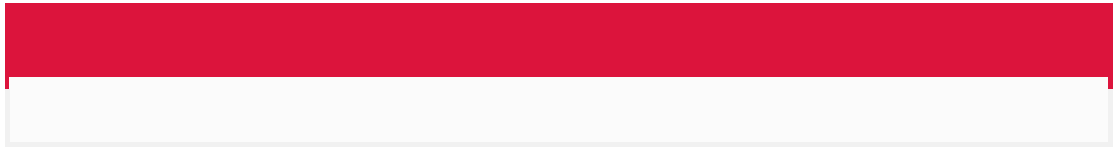


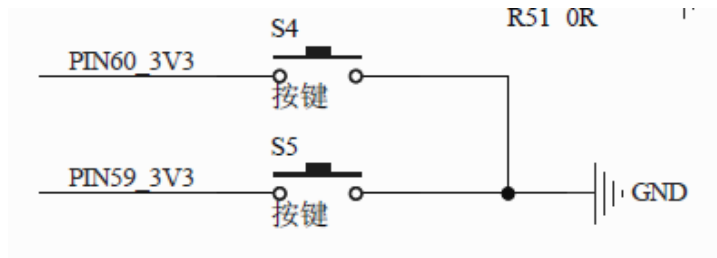
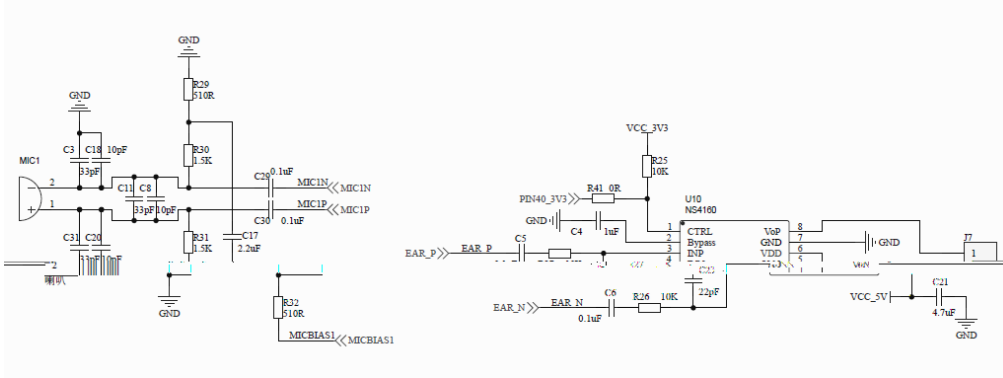




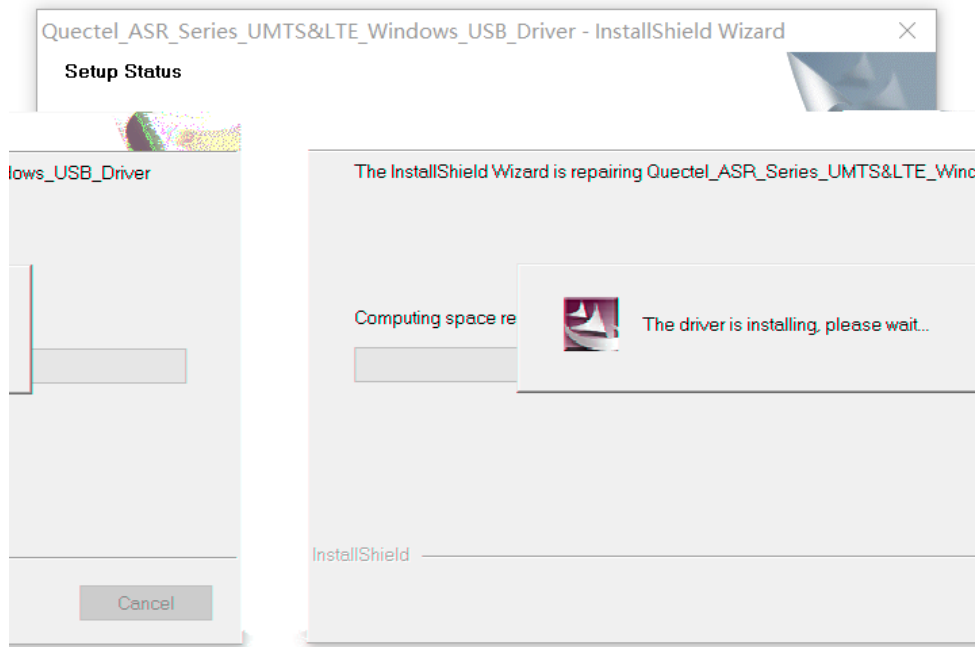


光敏电阻



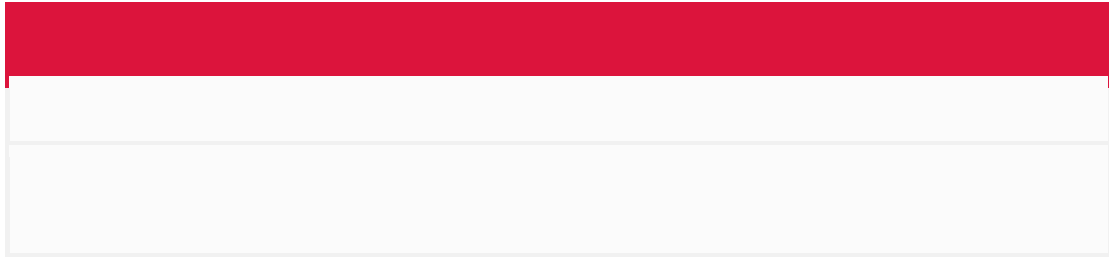


setup.exe

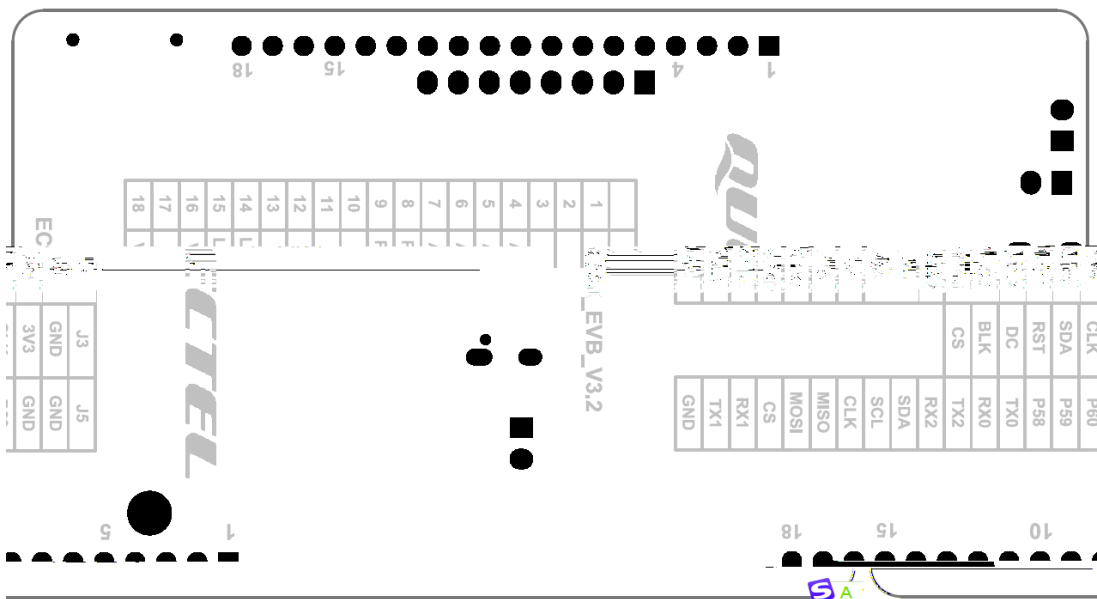
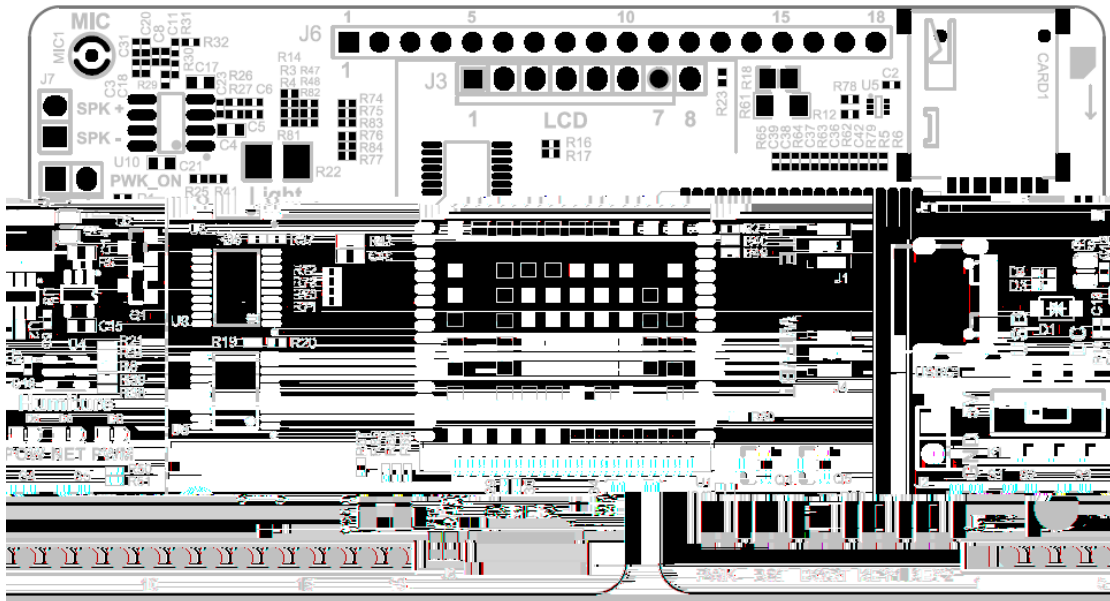


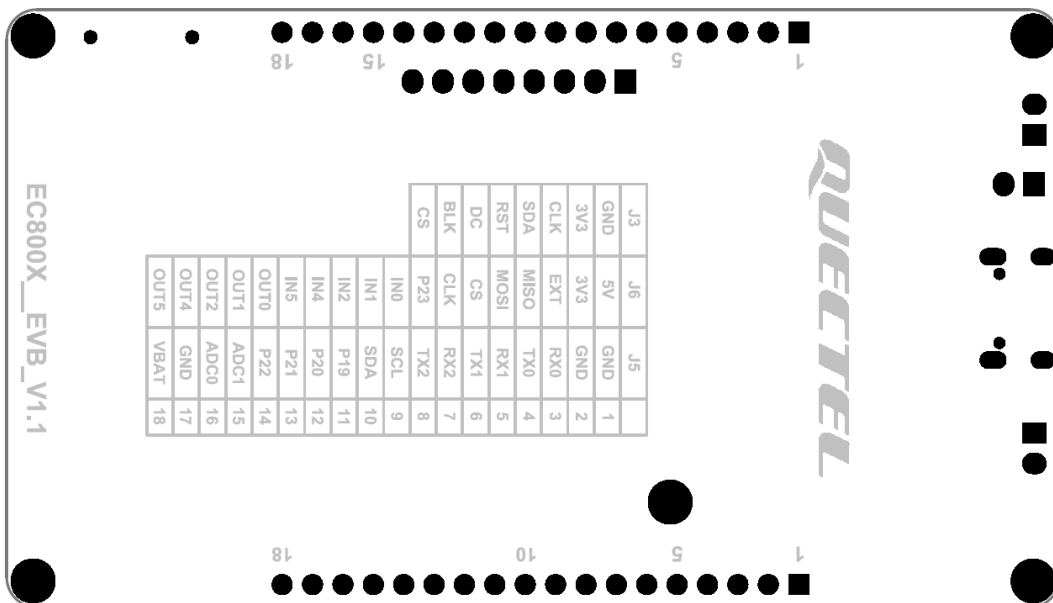
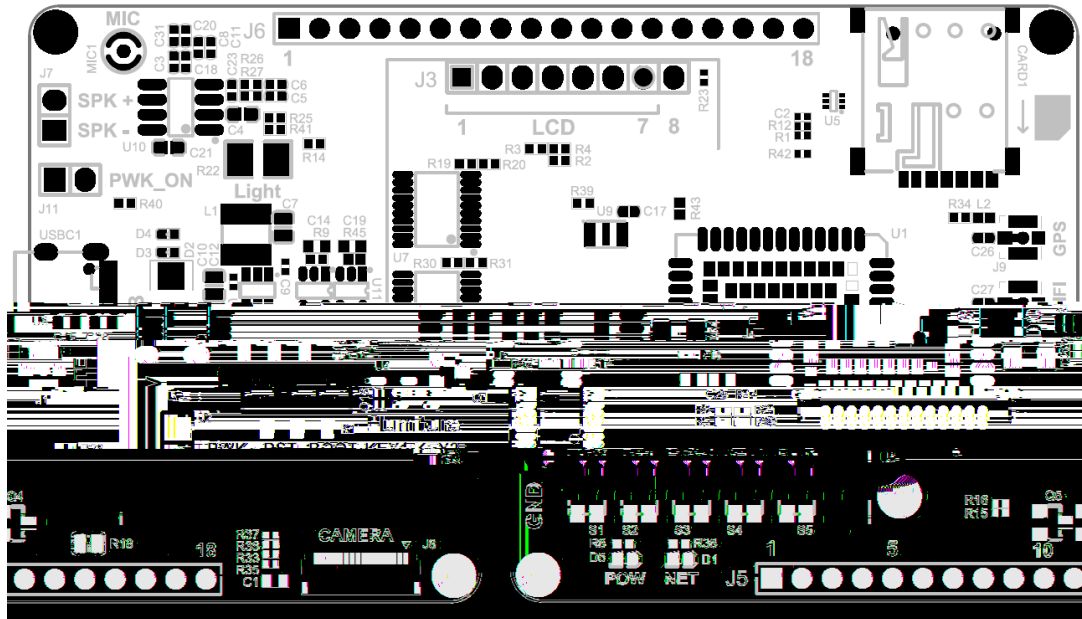


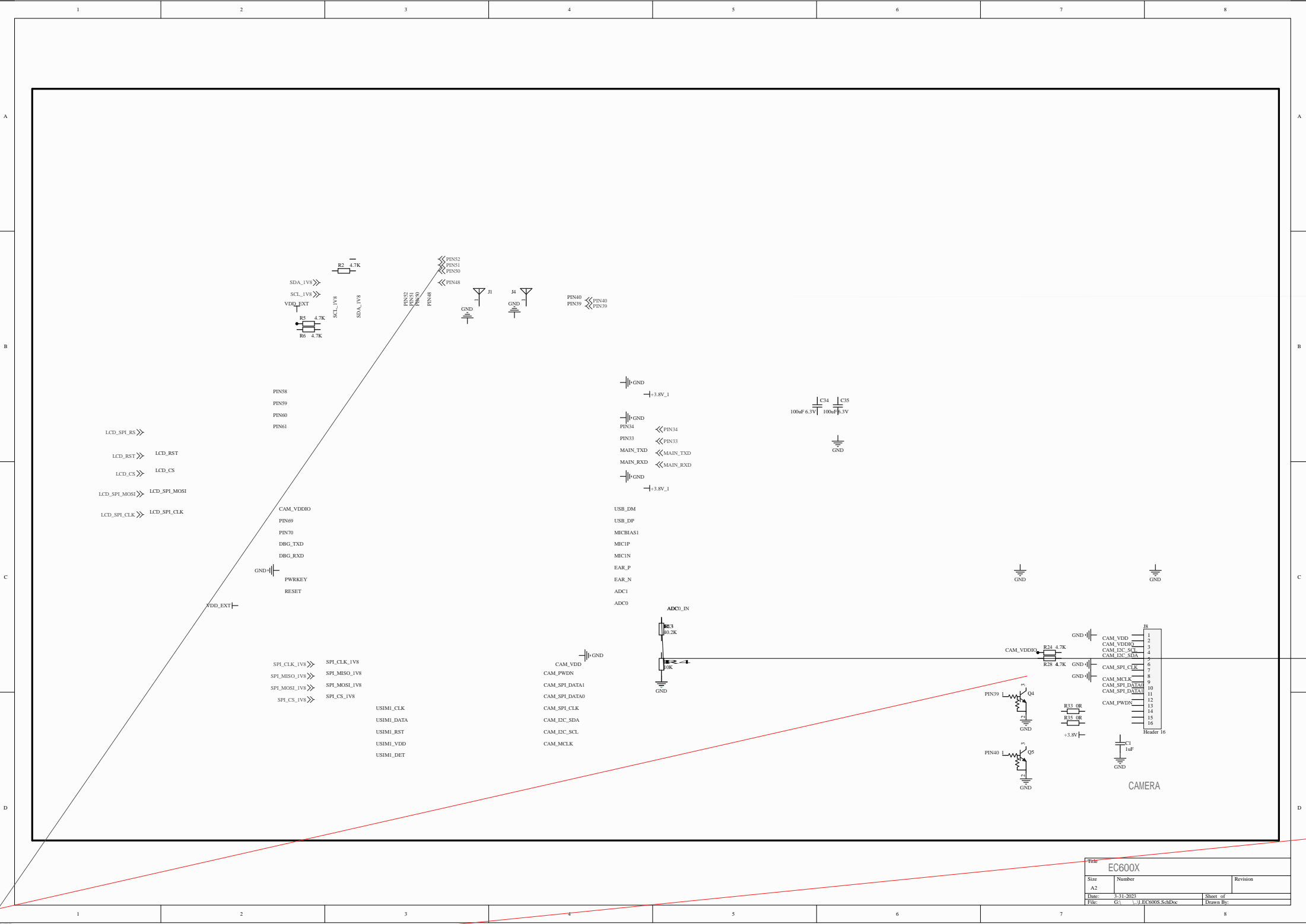
Quectel USB AT Port (COMx)  
Quectel USB AP Log Port (COMx)  
Quectel USB CP Log Port (COMx)  
Quectel USB Diag Port (COMx)  
Quectel USB MOS Port (COMx)  
Quectel Modem (COMx)  
Quectel USB Serial-1 Port (COMx)  
Quectel USB Serial-2 Port (COMx)



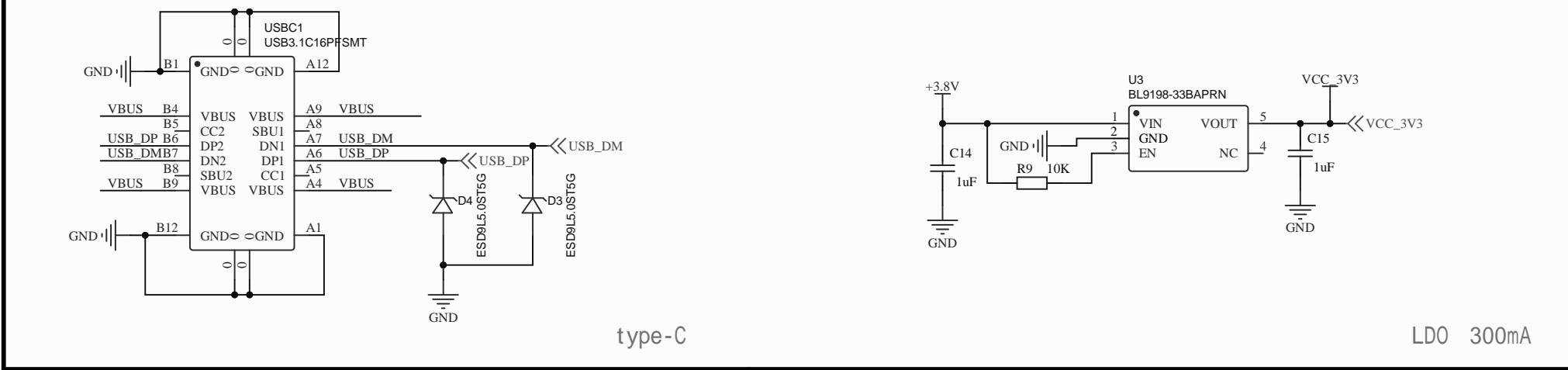
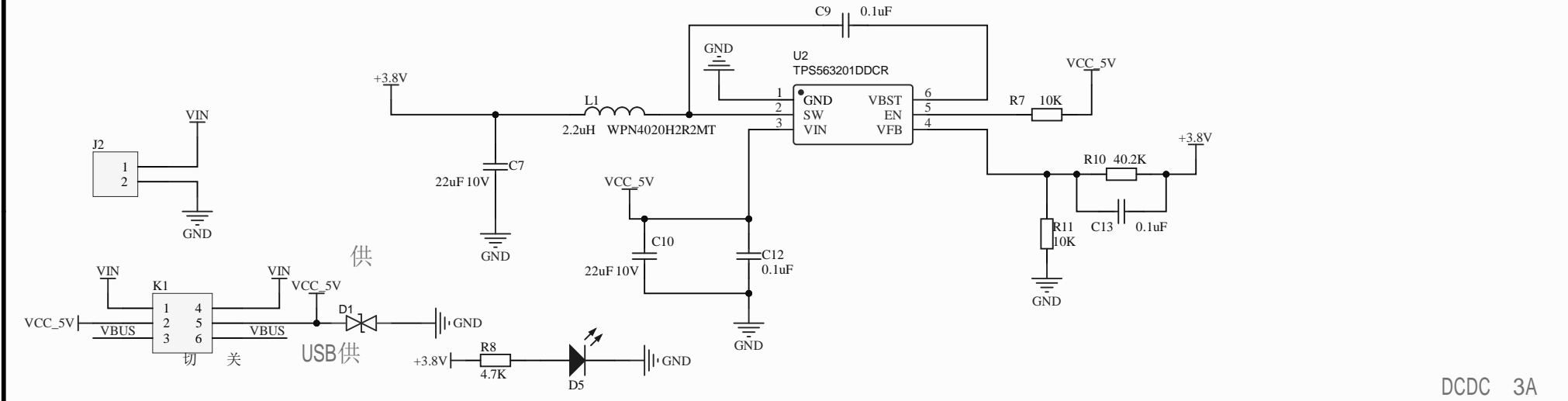




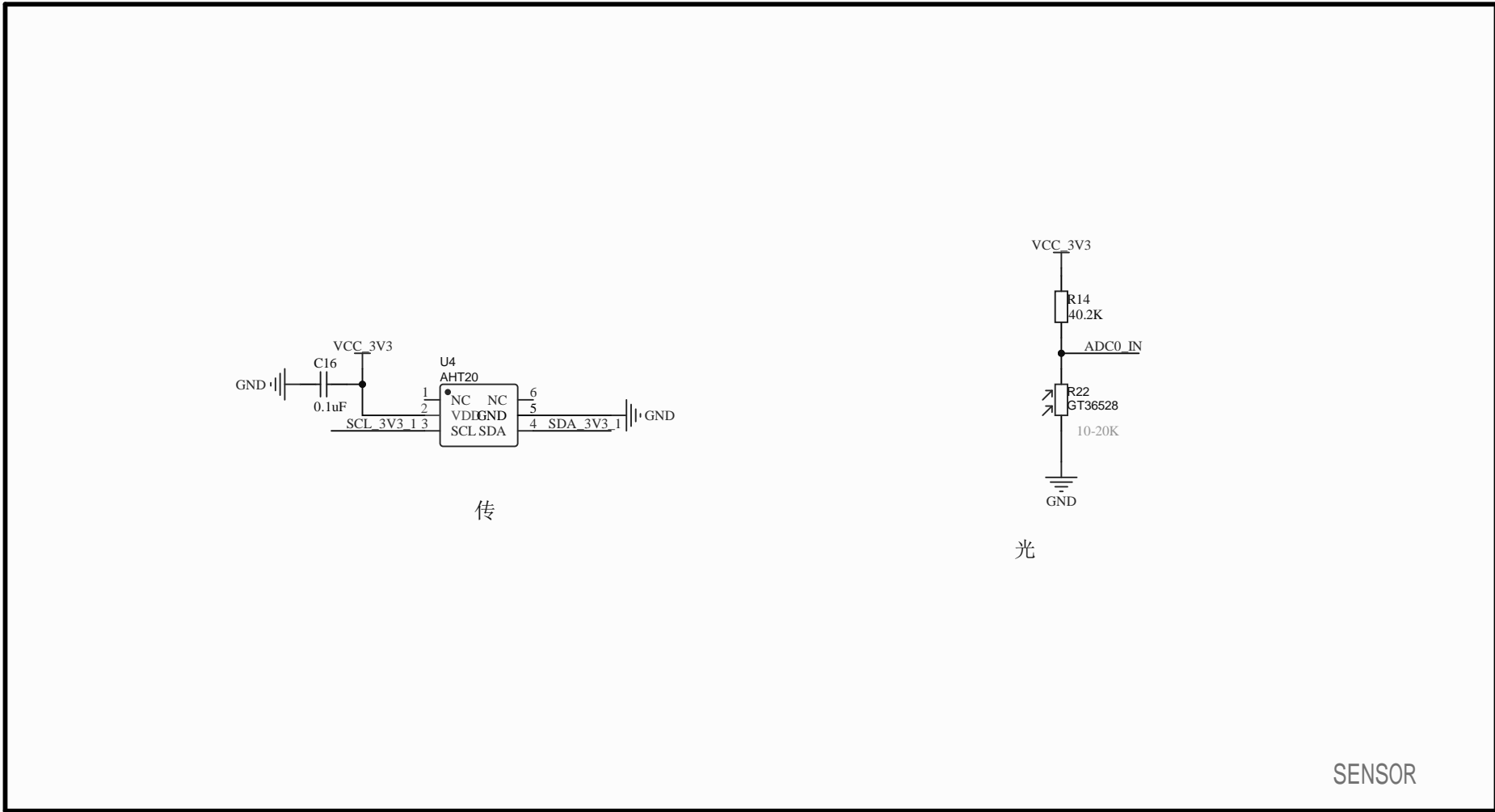




Title		EC600X	
Size	Number	Revision	
A2			
Date	3-31-2023	Sheet of	
File	G:\_1\1\EC600X.SchDoc	Drawn By:	



Title		
Size A4	Number	Revision
Date:	3-31-2023	Sheet of
File:	G:\...\2.POWER.SchDoc	Drawn By:

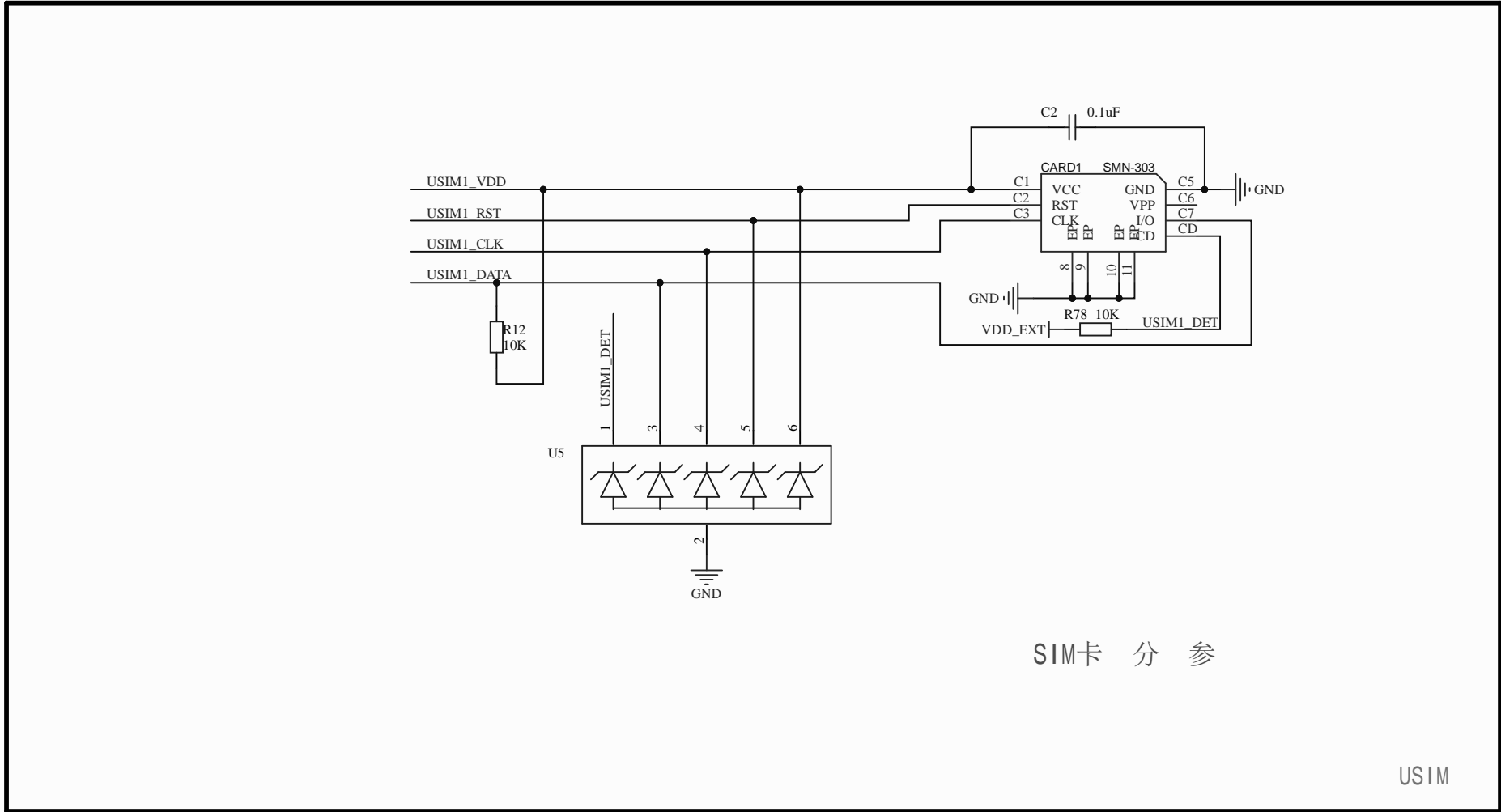


传

光

SENSOR

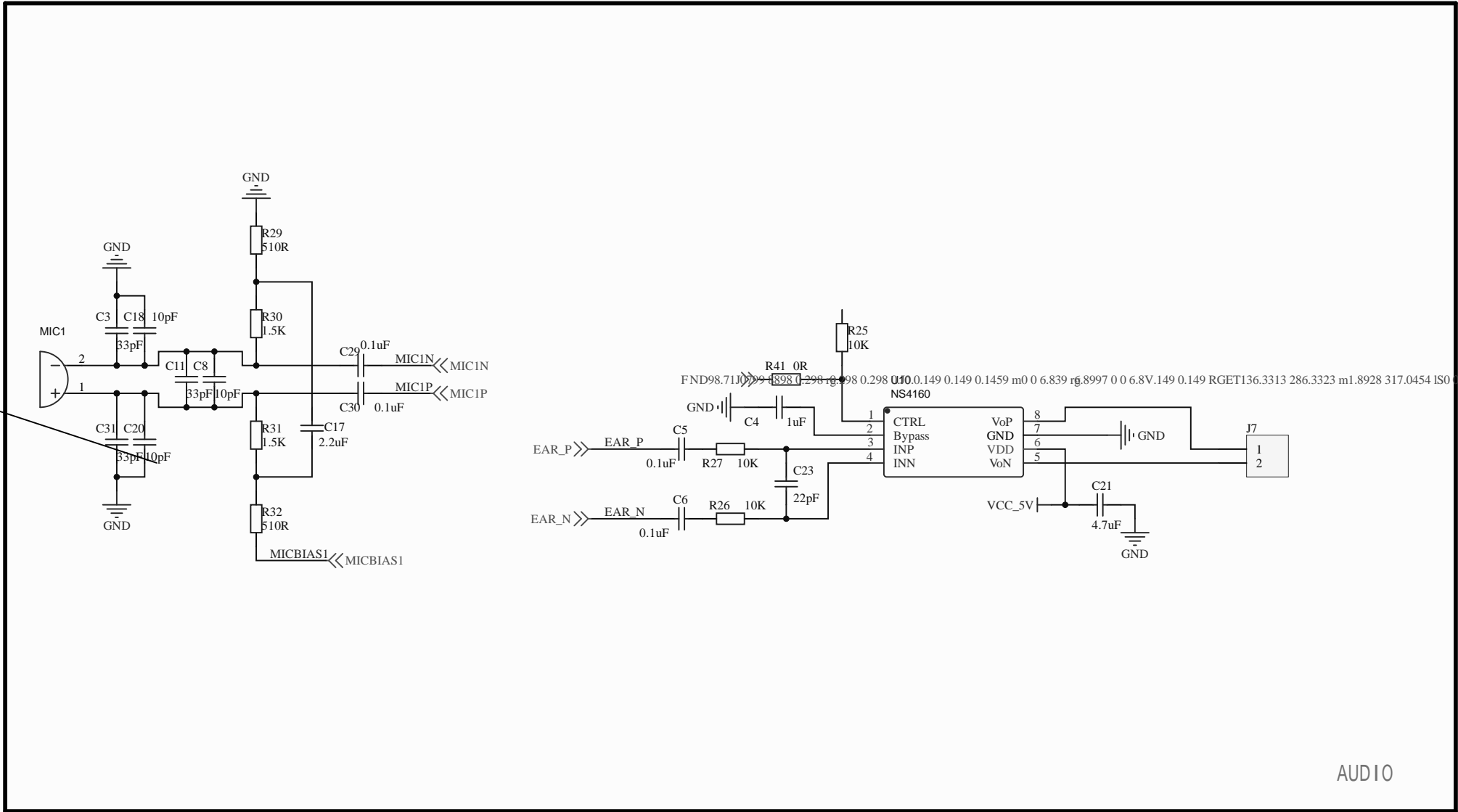
Title		
Size	Number	Revision
A4		
Date:	3-31-2023	Sheet of
File:	G:\...\3.SENSOR+EEPROM.SchDoc Drawn By:	



SIM卡分参

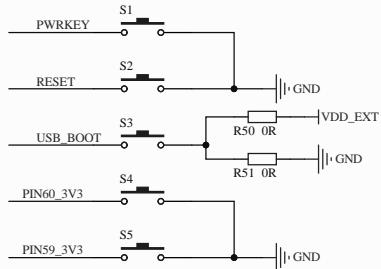
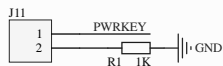
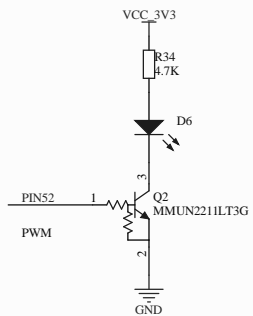
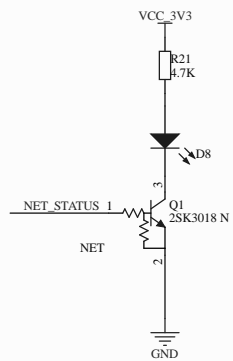
USIM

Title		
Size A4	Number	Revision
Date:	3-31-2023	Sheet of
File:	G:\...4.SIM-CARD.SchDoc	Drawn By:

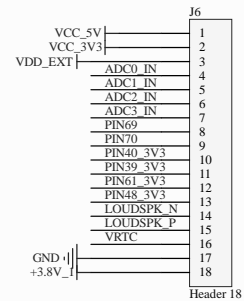
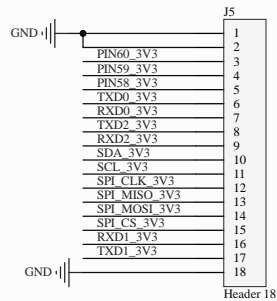
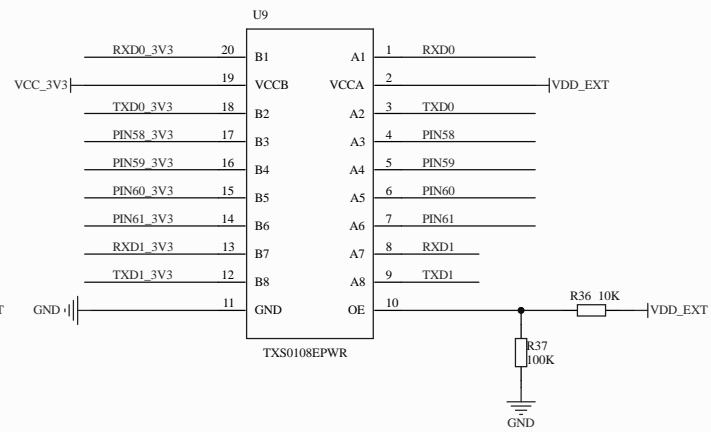
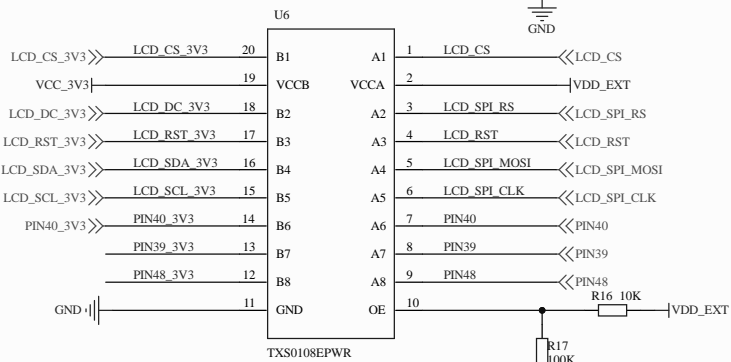
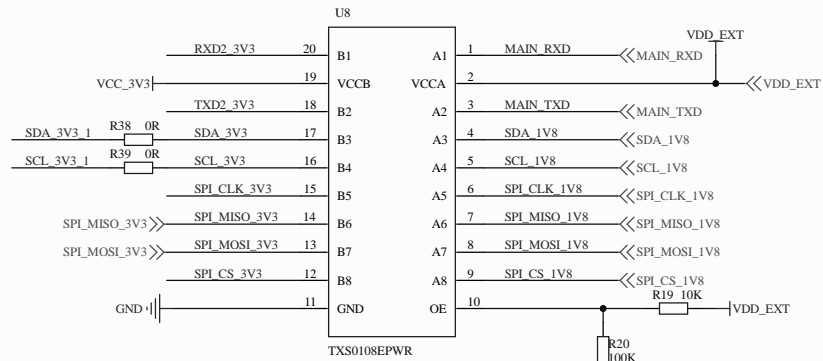


AUDIO

Title		
Size	Number	Revision
A4		
Date:	3-31-2023	Sheet of
File:	G:\...5.AUDIO.SchDoc	Drawn By:

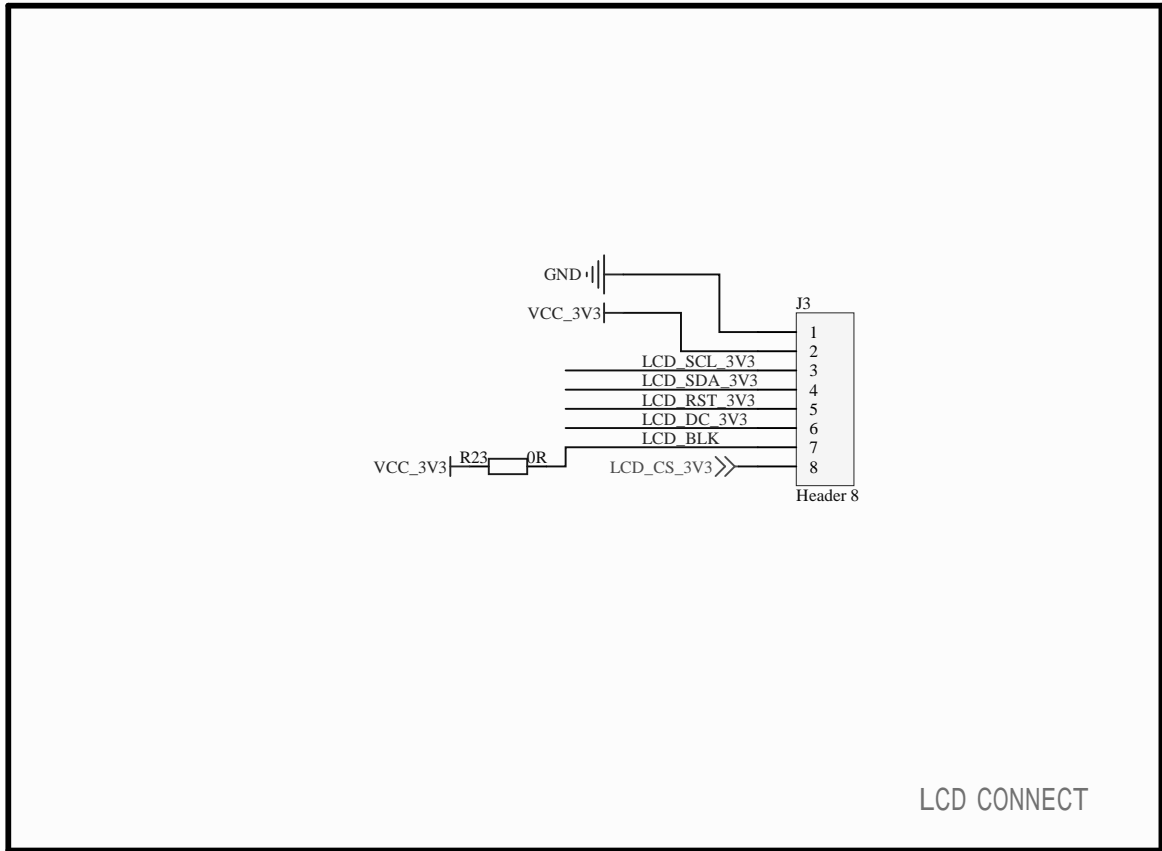


EC600U/G R50  
EC600N/M R51



GPIO

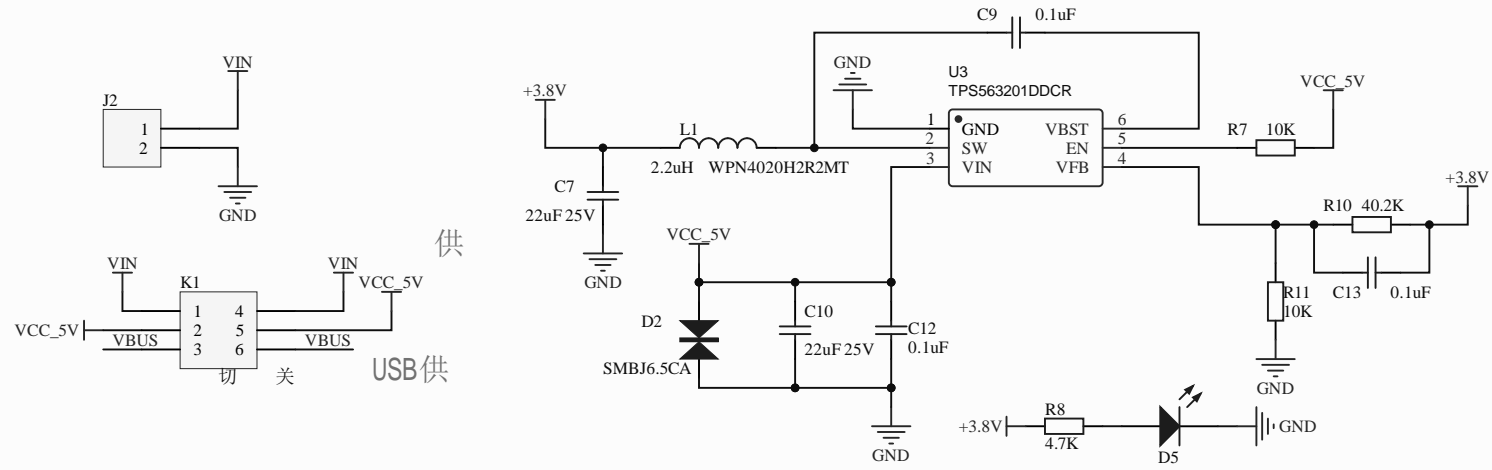
Title		
Size	Number	Revision
A3		
Date:	3-31-2023	Sheet of
File:	G:\_6.GPIO+UART.SchDoc	Drawn By:



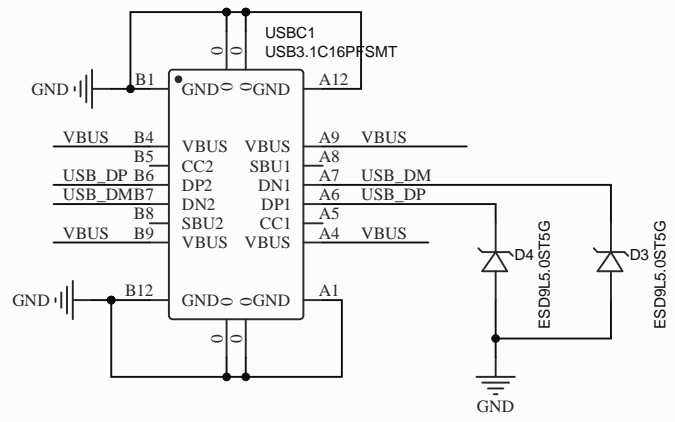
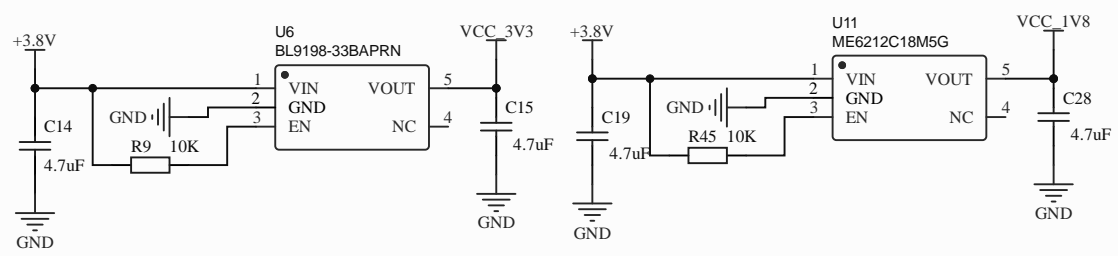
LCD CONNECT

Title		
Size A4	Number	Revision
Date:	3-31-2023	Sheet of
File:	G:\...\7.LCM.SchDoc	Drawn By:





DCDC



type-C

1

2

3

4

A

A

B

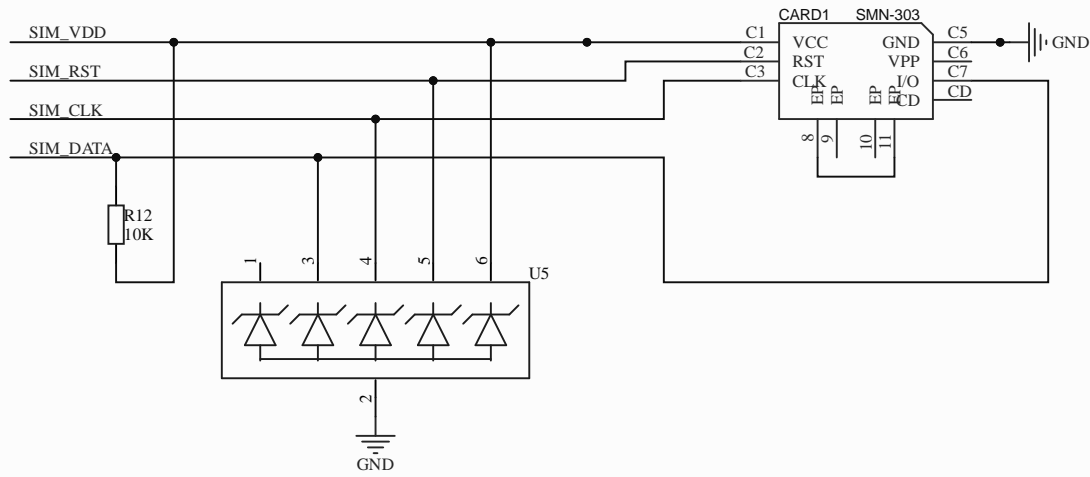
B

C

C

D

D



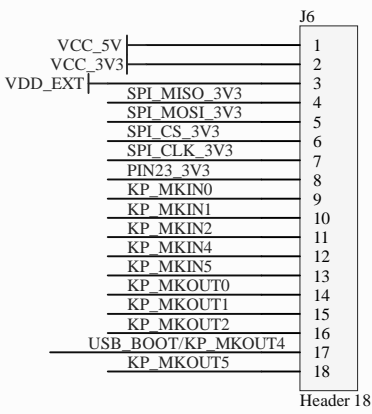
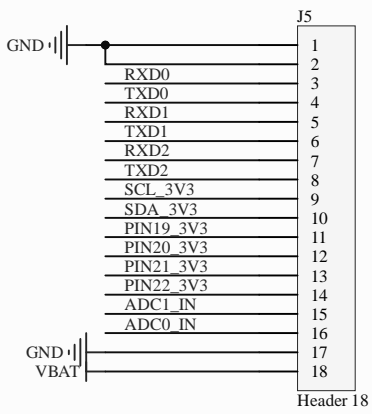
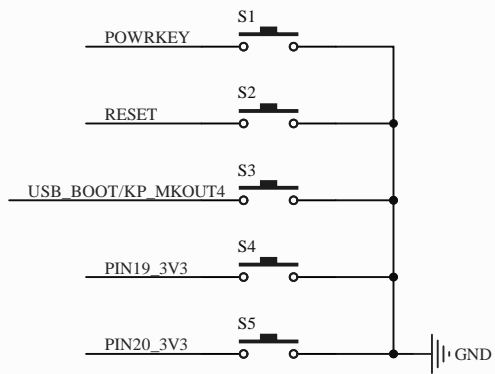
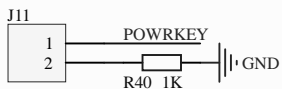
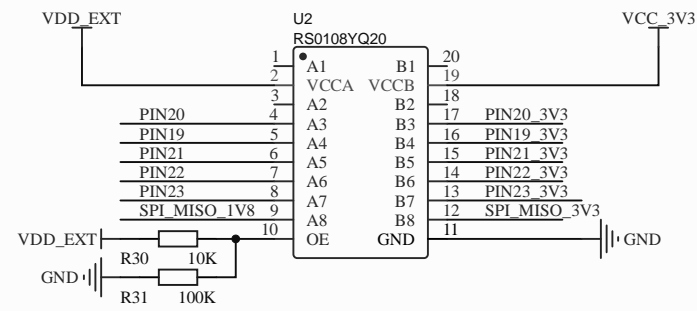
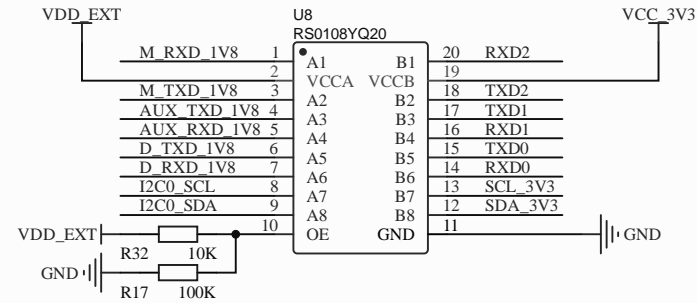
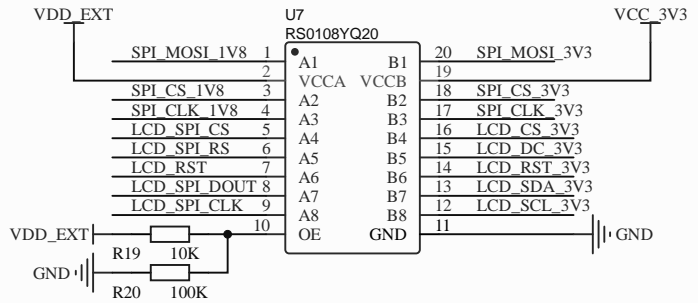
USIM

1

2

3

4



GPIO

1

2

3

4

A

A

B

B

C

C

D

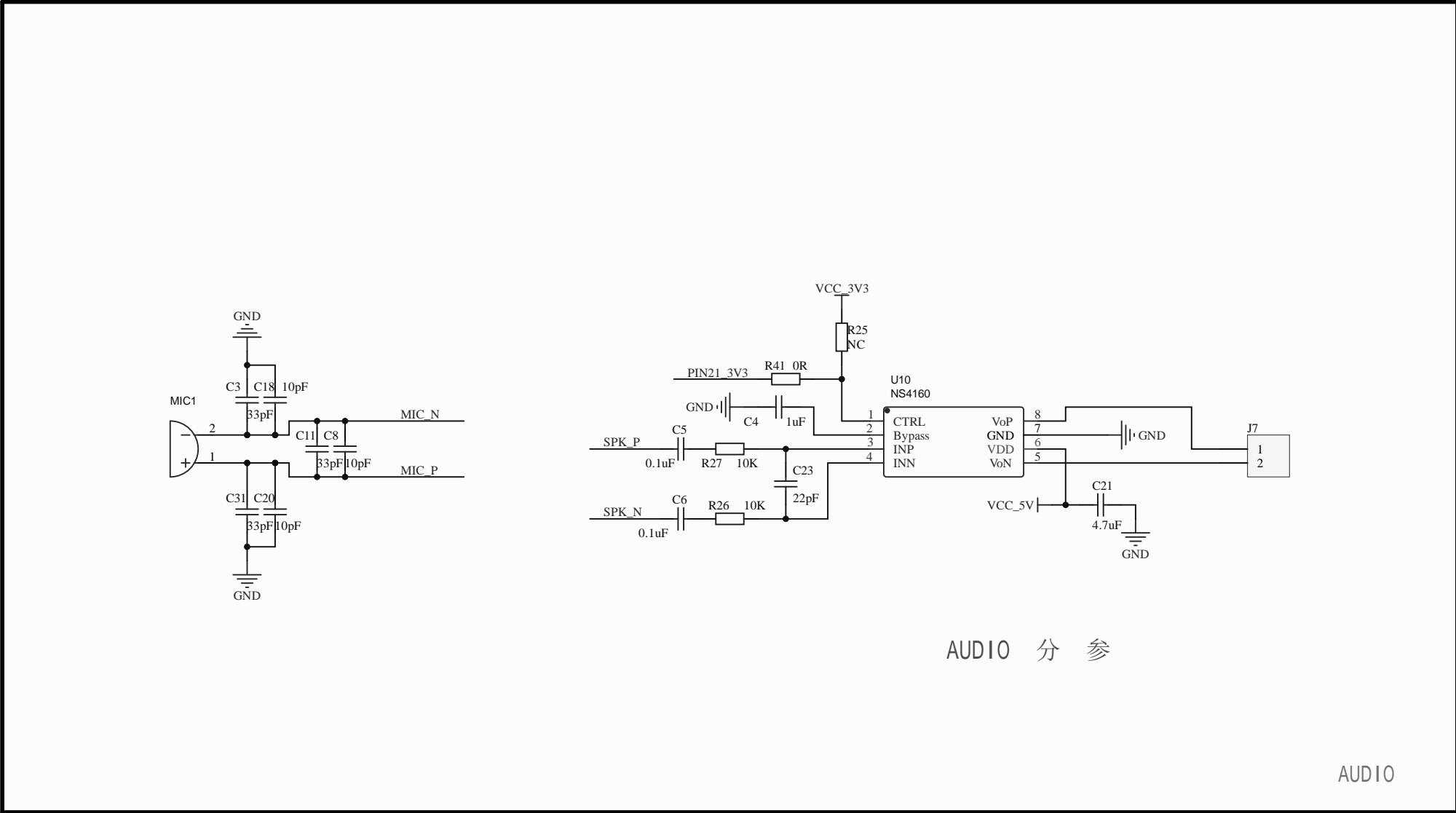
D

1

2

3

4



AUDIO 分 参

AUDIO

1

2

3

4

A

A

B

B

C

C

D

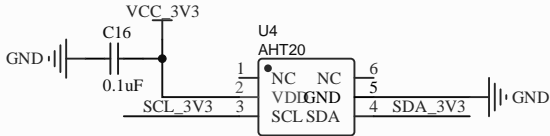
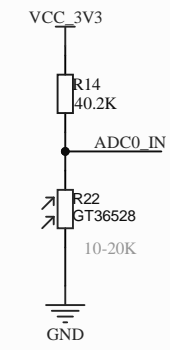
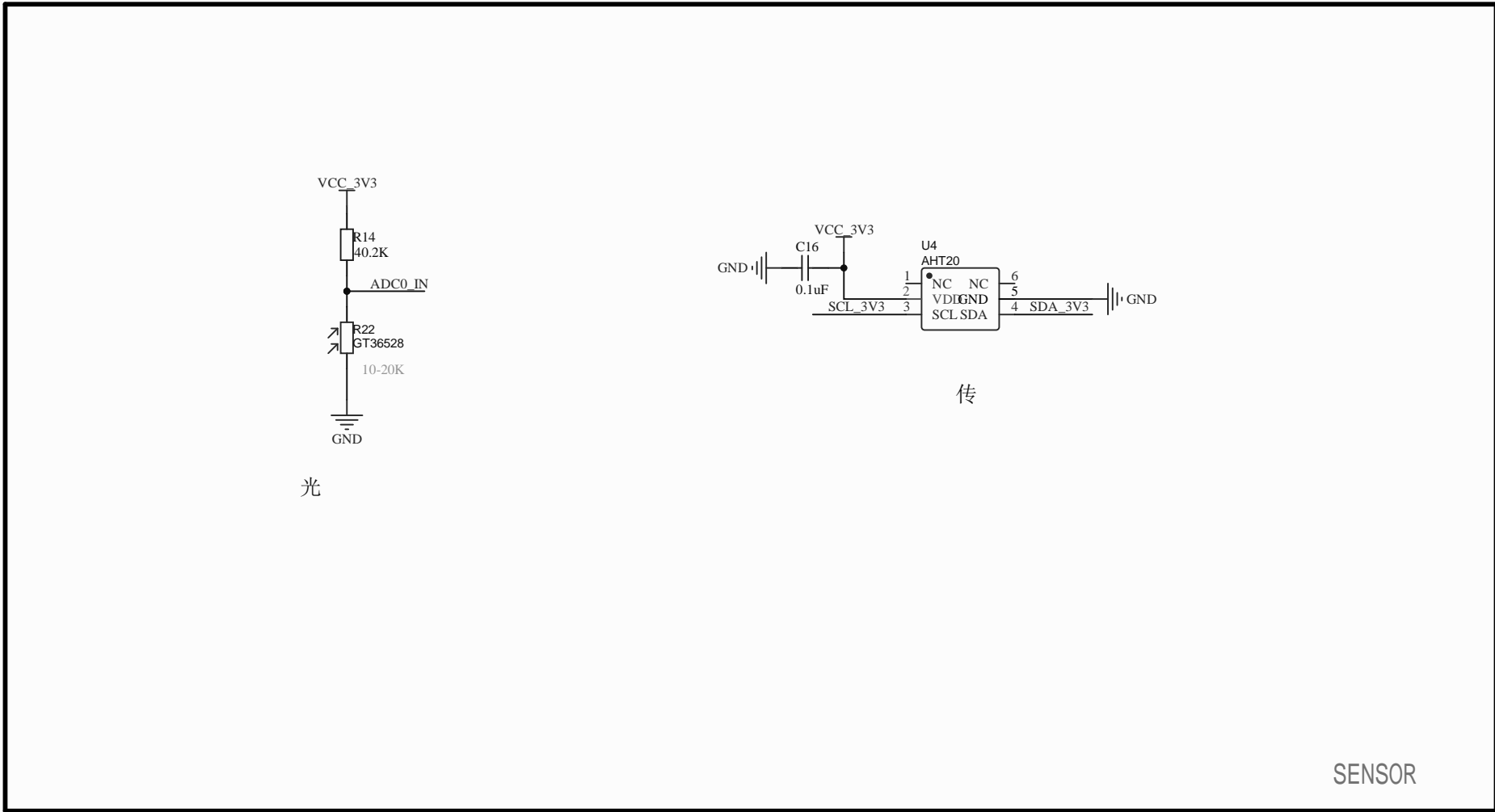
D

1

2

3

4



传

SENSOR

1

2

3

4

A

A

B

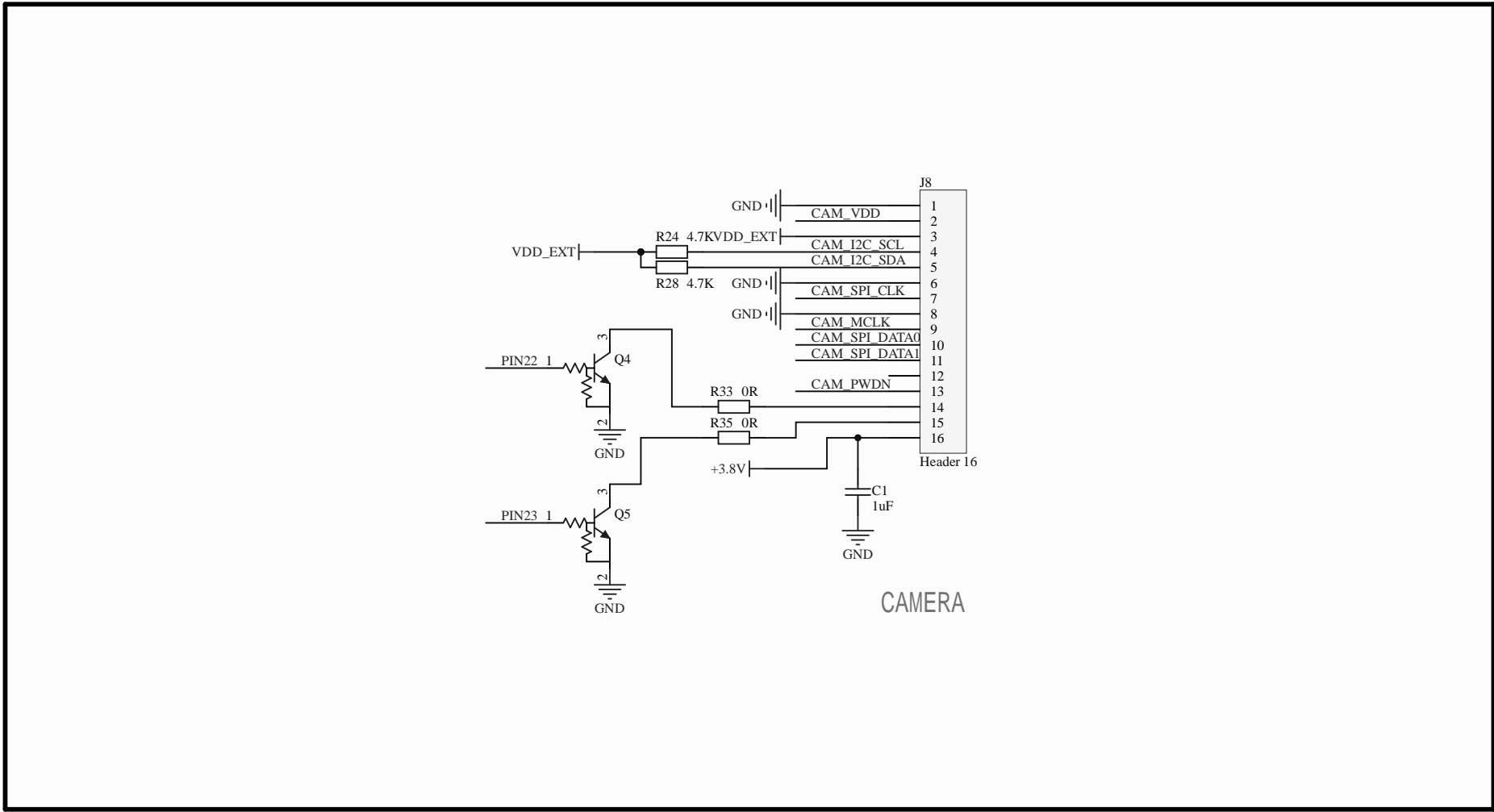
B

C

C

D

D



CAMERA

1

2

3

4

1

2

3

4

A

A

B

B

C

C

D

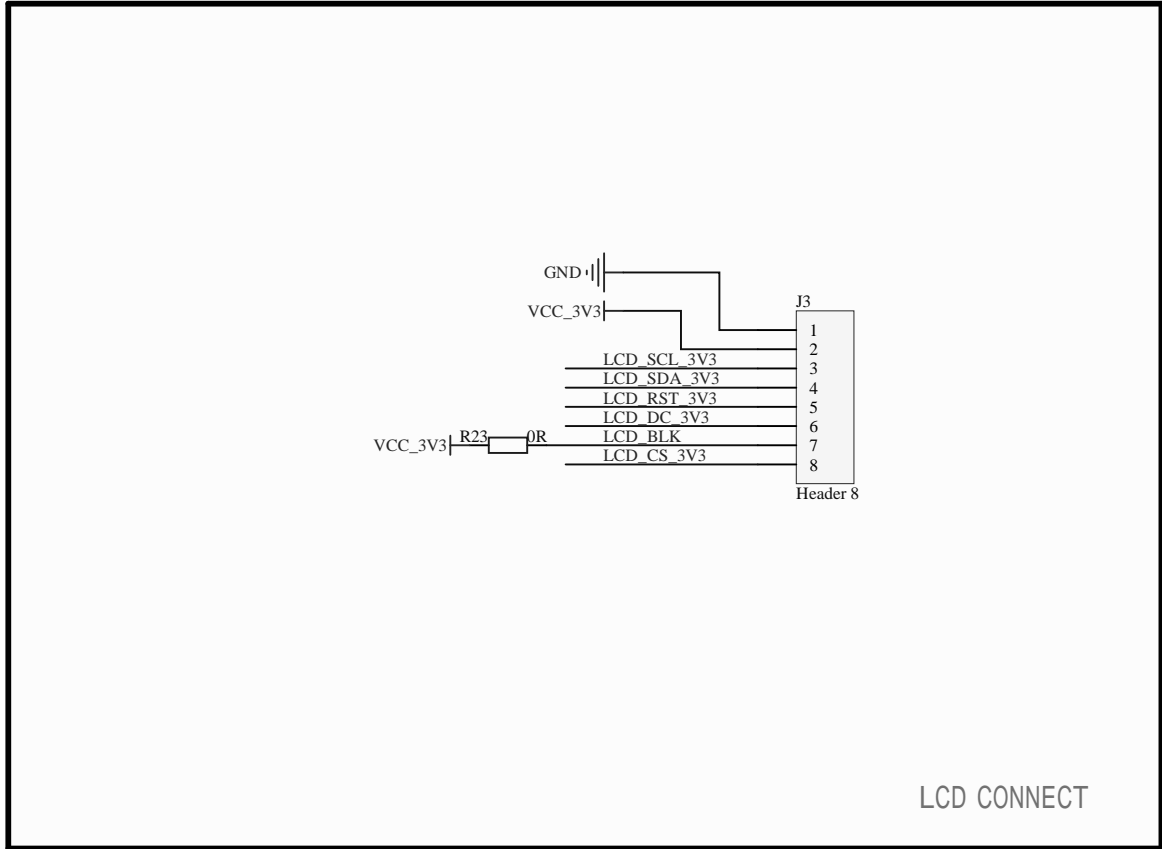
D

1

2

3

4



LCD CONNECT

1

2

3

4

A

A

B

B

C

C

D

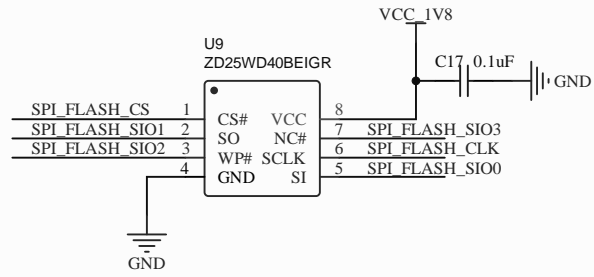
D

1

2

3

4



Flash